



Doon Presbyterian Church
Serving Our God and Our Community since 1851

All are invited!

Praise Team Hymn Sing 9:40 a.m.
Sunday Worship Service 10 a.m.
Sunday School 9:40 a.m.

Minister Reverend Angus Sutherland

Grapevine Newsletter November 2011

Christmas Time

This is one time of year that ministers find particularly difficult. Not because Christmas is a tough time, though that might affect some, but because there is a sense of needing to tell the story in a new way and a refreshing way. Advent comes along and we try to find different approaches. We read magazines that offer many suggestions, and there are attempts to work through the different aspects of the days approaching Christmas.

Every now and again, I ask myself, “Why the concern?” The reason is that when I read the scriptures, I find that the story has a freshness all its own, and a power that no preacher can add to. I think that’s why the “lessons and carols” kind of service is really popular. The story tells itself and has no real need for additives, theological or otherwise.

We have a family, forced to travel because of governmental interference in their lives, even though the wife is just about due to give birth. We have rejection; the family is turned away from the inn and forced to find shelter with animals. We have a birth; accompanied with all the wonder and amazement of new life and new possibilities. We have a very unusual birth announcement, and unusual visitors to the birthplace of the child. We have proclamations that this child is something more than any other child. We have the birth of hope in a land that desperately needed good news; we have the advent of light into a dark world; and we have the arrival of life into a world that needed rescue from decay and decline.

There’s much more, but you can add those things. Read the story, marvel again at the promise and the birth, and be renewed in spirit as you remember the gift of God’s love.

Merry Christmas!

Angus Sutherland



From the Editor

Welcome to our December 2011 edition of our Grapevine at Doon.

In this issue you will find information about events for the upcoming holiday season. You are encouraged to share this information with your friends and neighbours. Consider sharing the good news of the Christmas season by inviting a friend, neighbour or family member to join you at Doon for one of the Christmas services or perhaps “Christmas at Doon”.

Have you opened your copy of the *Presbyterian Record* for November (which is provided for all families at Doon)? There is some very interesting information provided in this issue. An article on page 12 intrigued me, especially as I’ve talked and interacted with young people in a variety of settings. Have you ever wondered “*Why Youth Leave the Church*”? This article shares six significant reasons why nearly three out of every five young Christians (59%) disconnect either permanently or for an extended period of time from church life after age 15. I invite you to read this short article, and I would challenge you to consider how as a church we would respond to the final two paragraphs – which are included below -

“Most churches work best for ‘traditional’ young adults – those, whose life journeys and life questions are normal and conventional. But most young adults no longer follow the typical path of leaving home, getting an education, finding a job, getting married and having kids – all before the age of 30.

Consequently, churches are not prepared to handle the ‘new normal’... The world for young adults is changing in significant ways, such as their access to the world and worldviews via technology, their alienation from various institutions, and their skepticism toward external sources of authority, including Christianity and the Bible”.

How can we, at Doon, approach the “new normal” faced by the youth of our church and community?

Are you looking for a way to explore the Advent season? In the centre of the November issue of the

Presbyterian Record, you will find an Advent Calendar that outlines readings for each day for the season of Advent. These readings focus on “Images of God”. How do you imagine God? What do you picture God to be like? Take a look at this unique centrefold that may help enrich your spiritual growth during the Advent season.

Inge Ford

Thank you, Thank you, Thank you!

As we approach Advent and Christmas, we have much to celebrate and be thankful for in our personal lives and also as a congregation. During the upcoming weeks – consider expressing your thanks and appreciation to the people at Doon who have made a difference for you. Here are just a few to consider –



Thank you to

- The many people who came out to prepare the church and cemetery grounds for the winter.
- The community members and people at Doon who donated so generously to the Silent Auction, the Re-gifting table, the Bake Table, the quilts and lunch at the Doon Christmas Bazaar.
- The many people from our church and the community who supported the recent Christmas Bazaar through their participation.
- The choirs and their leadership who enhance the weekly church services through their musical gifts and their gifts of time to practise.
- The many committees who make up the foundation of Doon, and continue to plan events and experiences that enrich our community.
- The many individuals in the Doon congregation who reach out to others in the church and the community to provide support and caring for others.
- The many people who are involved in Sunday School and youth activities.



Fellowship Committee Report

The Fellowship Committee was busy over the last few months organizing some new and some favourite events for the congregation.

Fellowship



Activities

Dozens of mouth-watering cobs of fresh corn quickly disappeared on September 17. Chief cooker, George Schieven kept us well supplied and master Barbequers, Brian Banks and Bob Galbraith filled our plates with delicious hotdogs and hamburgers. Over 60 people came out to share an evening of warm weather and warm friendship.

We celebrated Anniversary Sunday on September 18 with a beautiful cake. Thanks to Marna and Gerald Riopel for serving it.

On September 24, we had a great time at the Walter's Family Dinner Theatre in Bright. They fed our bellies with a delicious dinner and then fed our souls with a fabulous evening of Country Gospel Music. The committee is already planning a 2012 outing to this popular location.

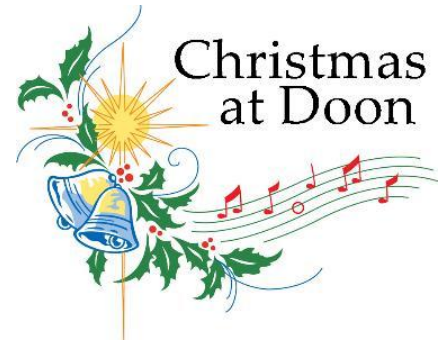
Pumpkins were popular and costumes were creative at the annual Pumpkin Carving party held on October 22. Twenty-five children plus family members got gooey with pumpkin "innards" and left with unique and creative jack-o-lanterns – ready for trick or treaters. Homemade and decorated rice crispy treats and special treat bags added to the festive event.

We extend our thanks to George and Henny Schieven for organizing our popular curling event at the Ayr Curling Club on November 20. Thirty-six curlers and eleven spectators came out for this fun, family event. We all shared in fellowship by sitting down together for a pot-luck dinner.



Be sure to put the annual Turkey Dinner on your calendar for Sunday, December 4th beginning at 5:30. Consider

inviting your friends and neighbours to join you for the turkey dinner and then stay for the Christmas at Doon Concert.



The Choirs of Doon Presbyterian Church – the Sanctuary Choir and Roos Street Sound are diligently practicing for their special Christmas presentation - Christmas **at Doon** - 7pm, Sunday, December 4th, 2011. Come out and support the choirs and enjoy music of the season and hear again the wonderful scriptures relating the Christmas Story.



What missing in C H _ _ C H?

(U, R)

someone in need, please contact Kathy Grensewich or Inge Ford.

- Collecting Canadian Tire Money which is used to support Evangel Hall.

The Mission Committee sent flyers to the community at the end of November informing the community.

Christmas Food Drive

Doon Church collected 98 pounds of Food during the Thanksgiving Food Drive. The Christmas Food Drive is now underway. Can we surpass what we collected for the Thanksgiving Food Drive? Your food donations are welcome at the church anytime during the month of December. Your donations will provide support for people in our community who receive food supplies from the local Food Banks.



Coffee Volunteers Welcome!

Thanks to the great organizing skills of Nancy MacLaurin and the help of volunteers, we are able to offer coffee, tea and juice every week after our church service. If you are able to help prepare the coffee on a Sunday morning, please sign up in the Fellowship Hall or speak to Nancy. Your help would be greatly appreciated.



Grocery Cards

Remember that each Sunday you are invited to purchase your Zehrs grocery cards. Sobeys cards are now available as well. Both cards are available for purchase after church in the



Fellowship Hall each Sunday. Proceeds help support our church!

Sunday Evening Worship

For the Sunday evening services a special Speaker Series is being introduced.

Join us for the following speakers –

January 15 – Community Justice Initiatives
– Restorative Justice

Are there approaches that are more consistent with the principles of scripture and the vision Jesus had for how we resolve conflict? This will be a challenging and lively discussion.

February 5 – Duff's Church - Webequie

The informal service includes the following:

5:00 – doors open
5:15 – set up
5:30 – potluck meal
6:15 – worship, singing
6:30 – speaker
7:00 – discussion
7:15 – worship, singing
7:30 – clean-up
Everyone welcome!



Getting Ready for the Holidays



The Mission Committee is sponsoring the sale of poinsettia plants this year. Plants will be available in a variety of colours and sizes.

The final day to submit your orders for poinsettia plants is Sunday, November 27. Order forms are available at the entrances to the church as well as in the Fellowship Hall. Poinsettia plants will be available to pick up at the church on Thursday, December 1 between 3:00 and 6:30 p.m.



The Christmas Eve service this year is at 7:00 p.m. on December 24th. There will not be an 11:00 o'clock service.

Join us for a Christmas Day service at 10:00 a.m.

PYPS

PYPS was a phenomenal event and the Presbyterian Church in Canada is putting on an event at Crieff in February called "Spark!"



It Only Takes a Spark...

Did you miss out on PYPS? Did you go and have a great time? The synod and the Presbyterian Church in Canada is helping host another fantastic youth event from February 24th - 26th at Crieff Hills. Come make connections with other youth from the region and enjoy some contemporary

worship in the beautiful, natural setting of Crieff. The event costs \$70 to attend and registration is online at www.synergyevent.ca. If you are interested in attending or for more information, please speak to *Joscelyn Alexander* or email at joscelyn.alexander@gmail.com. And remember: *"It only takes a spark..."*

Merry Christmas from KFC!

The youth of KFC! would like to wish everyone at Doon a VERY Merry Christmas! We have had an exciting start to the year! We are working on team building and building relationships with each other and with Christ. We are learning that the teenage years don't have to be a holiday from responsibility but that we can be teenagers of distinction and we CAN have a great and positive impact on the world around us!

We've also experienced recently how challenging it can be to try and do things without the instructions ~ try putting together a jigsaw puzzle without the picture to refer to! Or play a board game you've never seen without the instructions! ☺ Well, the same holds true for trying to live out daily life without the right instructions. Thankfully, in Canada, we have free access to the best instruction book ever, and we're trying to meet the challenge of reading that instruction book every day. We challenge you too! Dig into God's Word each day and see the difference it makes in your life!

We continue to gather on Friday evenings from 6:00 – 8:30. We share a potluck dinner; have Worship & Grow time, and then social time. If you're in Grades 5 through 10, come and see what we're up to!

You don't need to be a youth though... Our mentoring with members from the congregation is continuing this year! We have had Jos Alexander come in to share her knowledge and experience with the aboriginal peoples of Canada. It has been very interesting to learn about their traditions and their connections to the Christian faith. We look forward to continuing this experience with Jos in the new year! We are also looking forward to spending some time with Daniel Entz and Krista

Harrison in the new year! Lot's to look forward to! If YOU would like to spend some time with the KFC! youth, please sign up on the form in Fellowship Hall or speak with Brian, Debbie or Jill! We'd love to get to know you better and to learn from you! ☺

We will be attending the Peter Fruler (Former lead singer of the Newsboys~ along with Building 429 !) concert on December 9th at Calvary Pentecostal Church in Cambridge. We may have some extra tickets, so if you're interested in joining us, just let Brian, Debbie or Jill know! Tickets will be only \$8!

And please don't forget about helping us with our Tree of Hope Christmas project! A great opportunity to reach out with the love of Christ during this Christmas season! Thanks everyone, for your on-going support!

Community Sharing Centre

The Community Sharing Centre has had a busy and exciting fall. We have continued to work on developing our identity and our programs. In this process, we have created a Board of Directors, including Lisa Brimblecombe (Doon), Kelli Kuzyk (Pathway) and Brian Banks (Doon). Our Steering Committee includes Mary Nighbor (Pathway), Jill Hubick (Doon) and Chris Pudel (Pioneer Park Church of God).

We have continued with our After School Program this fall. This program operates within the Country Hills Co-op on Doon Village Road. We are very thankful for the space that is provided through the Co-op. We have had up to 13 children participate! We have a snack with the children, a mini lesson stressing characteristics of integrity and being the positive change in our community, and then games/crafts and social time. It has been a wonderful experience building relationships with the children, ranging in age from 4 years to 12 years old. We currently have 5 volunteers who regularly help out with the program; however, we are in need of more! If you feel called to reach out to the children of our community by spending some time with them on a Wednesday afternoon,

from 4:00 – 5:30, please contact Jill Hubick at thehubicks@rogers.com.

We have also started a new program, the Homework Club! This currently runs on the second and forth Monday of each month. We have four regulars who attend, with others joining in periodically. In order to expand this program to weekly, we do need additional volunteers. We are keeping in with the Leading With Care guidelines, and thus need more than one volunteer at the program. If you are interested or know of an adult or senior youth who would be interested in helping out with this program, again, please contact Jill Hubick at the above email address. It is on Mondays, from 4:00 – 5:00.

Other programs that have been suggested by members of our community and that we are hoping to implement include a Cooking/Social group for singles to help them learn to cook “healthy meals for one”, as well as social time with other singles in the community. A sewing class, especially for immigrant women who would love to learn this skill! If you have talent, time or resources that you could offer to help these programs get started, we would love to hear from you! Please contact any of the members on either the Steering Committee or Board of Directors.

We would like to thank all of you for your continued support of this ministry. We have a great opportunity to work together to reach out to our community with the love of Christ! Thank you for helping to make this possible!

We wish you all a wonderful Christmas season! We hope that it is filled with the wonder that is Christ, and with many special moments spent with family and friends!

Submitted by Jill Hubick



Bible Quiz



Some parts of the Christmas story, as commonly told, aren't actually recounted in Scripture. Which of the following details is recorded in the Bible?

- A. Mary rode a donkey to Bethlehem, and Joseph walked alongside her.
- B. Angels announced that a Savior, the Messiah (or Christ), had been born.
- C. There were three wise men.
- D. Shepherds and wise men (or Magi) worshiped Baby Jesus together.
- E. None of the above.

Answer: B (See Matthew 1:18–2:12 and Luke 2:1–20, especially v. 11.)



What to Give

To your enemy, forgiveness.
To an opponent, tolerance.
To a friend, your heart.
To a customer, service.
To all men, charity.
To every child, a good example.
To yourself, respect.
—Oren Arnold

Your Ad Could Be Here!

Have you ever considered placing an ad in the Grapevine? An area of the Grapevine will be reserved for any members or adherents of the Doon Congregation who would like to place an ad for services or products. The cost for a black and white print ad the size of a business card is \$15.00 per issue.

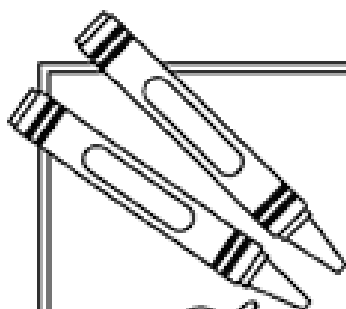
Please send your ad to
ingeford@rogers.com

(or leave it in
the Ford mailbox at
the church)

Send your cheque to cover the cost
of the ad
to
Linda Thompson,
Treasurer, Doon Church.

Proceeds will go to reducing the cost of the Grapevine. The Grapevine reserves the right to refuse inappropriate ads. Please ensure that your ads are sent to Inge Ford prior to the deadline of the next issue of the Grapevine.





Just for KIDS

The Son of the Highest

A new baby brings joy and the anticipation of what he or she will grow up to become. Jesus' birth was miraculous, but His life was prophesied and planned by God.

Unscramble the words below, matching them to their correct spelling. Then use the numbers to fill in the correct words to complete Luke 1:32-33 (NIV).

- 12. taerg he
- 8. eh Jacob
- 13. gHhi father
- 7. aDvid give
- 10. bocJa great
- 3. reafth High
- 4. vieg David

- 2. noS forever
- 11. seouh end
- 5. northe Son
- 1. roevfr house
- 6. dingmok throne
- 9. den kingdom

"He will be _____ and will be called the _____
of the Most _____. The Lord God will _____
him the _____ of his _____,
and _____ will reign over the _____
of _____; his _____ will
never _____."

Luke 1:32-33, NIV

Answers: 1. forever 2. Son 3. father 4. give 5. throne 6. kingdom 7. David 8. he 9. den 10. Jacob 11. house 12. great 13. High

PAPER BAG LUMINARIAS

Lead your family and friends to your house this holiday with luminarias celebrating Jesus' birth.

WHAT YOU NEED:

- Pencil
- Brown paper lunch bags
- Hole punch, tack or pushpin
- Sand
- Votive candles or tea lights

WHAT YOU DO:

- 1 Draw a simple picture, word or symbol of Jesus' birth on the bag; for example, a star, a manger, a heart, a lamb, a wise man or the word "JOY."
- 2 Using a hole punch or pushpin, punch holes along the drawing, leaving a little space between each hole. Punch all the way through both sides of the bag so you end up with the same design on both sides when the bag is opened. When using a pin, place a piece of cardboard under the bag or work on carpet so nothing gets damaged.
- 3 Open the bag and fill each luminaria with about two inches of sand. Then sink a votive candle or tea light in the center of the sand.
- 4 Place the luminarias along a walk, patio or porch. Have an adult light the candles.

A Renewal Proposal for Doon Presbyterian Church

Where are we as a congregation?

The congregation at Doon Presbyterian Church has been “Serving Our God and Our Community since 1851”. Not many Christian Churches in Canada can make a claim like that. During these 160 years, there have been “ups and downs” that have generated excitement and discouragement but we have continued to be a Presbyterian presence, worshipping our God and reaching out to our community and our world. Some would claim that during the past few years we have been moving from an “up” towards a “down”. Although you may or may not agree with this perception, if you pause to look at what we have become over the past 5 to 10 years, I think you will agree that we have made some wonderful positive changes – Mission trips – CAT and Shelley Dental Trips, Junior and Senior Youth Activities, Vacation Bible School, Modification to Worship Services, Data Projector and Screen in the Sanctuary and in the Sunday School, updated Website, Webcasts of sermons on the website, upgrade of the sanctuary windows and paving of the parking lot, major changes to committee structures, and more.

If we are in a “downward” trend, we are in the company of a large number of churches and denominations and considerable concern is being expressed at many points (e.g. read the Presbyterian Record). What is our response? Instinctively one tends to complain, criticise and point fingers. To whom do we complain? Our friends as we share a coffee? Does the complaining bring about the changes that will bring us back to some of those exciting times when we were “up”? I don’t think so. If we persist in bad mouthing and complaining and take no other action, we could experience the results as illustrated in Rev. Sutherland’s sermon on October 31 when he compared complaining and badmouthing to termites eating at the structure of a building. If it continues with no actions being introduced, the structure will eventually collapse and be of no value to anyone.

What does this mean for us?

Does complaining and expressing concern mean that we would like to see change? Are we willing to work at designing and implementing change? Will we provide support and commitment to the changes that are introduced? I believe at our wonderful old church on the hill, our congregation will answer yes, yes, yes, yes and yes, just show us how and lead us through the tasks so that we can create the organization and atmosphere that will generate that “up” that we long for.

What needs to happen?

First off let’s stop being termites who have one goal only and that is to destroy! Being critical is destructive if it exists by itself and if it becomes the normal and prime topic of conversations. Criticism can be used as a means of identifying procedures, organizational structures, programs, etc. that are felt to be no longer relevant and/or need to be changed.

Once the complaints, criticisms or concerns have been identified, one needs to move quickly to provide a balance by looking at what is working well, what are we proud of, what do we want to protect and support?

To this point the process is only descriptive of what exists; now we need to be creative. What would we like to see happen, - the creative activity that can result from people sharing their ideas and dreams.

The final and vital step is the encouragement and building of supports that that will strengthen those who are committed to make it happen.

To ensure that what we are doing is part of God’s plan for our congregation, prayer and the seeking of God’s directions are major needs through the entire process.

Where are we and where do we want to be?

The following could be other ways of saying the same thing

1. What do we continue doing, what do we stop doing and what do we change?
2. Let's look at who we are and move to who we want to be!
3. What is working and what needs to be changed?
4. What do we stop, start and continue?
5. Renewal at Doon Presbyterian Church
6. Review of our Plan at DPC
7. Where is DPC in our community and where would we like it to be?
8. How do we build the energy, enthusiasm and commitment at DPC?

Proposal:

Session has approved the following as a preliminary or draft version of what is planned for the future. The response at any one point could suggest the need for changes thereafter.

Action	Date
1. Approval from Session.	Nov 7
2. The congregation will be given information about what is planned and progress reports regularly via announcements in the bulletin, the Grape Vine and the church website.	Nov - Dec
3. Information will be collected in a structured manner as to "what do we continue doing, what do we stop doing and what do we change". The congregation will be able to submit their information by interview, on a written form, and/or in small groups. Information presented privately will not be used with the presenters name associated with it. Anonymous information that may be received will not be considered.	Dec - Jan
4. A team of two will be available after church and possibly other times to receive verbal submissions.	Dec - Jan
5. Session will be provided with resources and training to receive/collect information as they go about their activities in the church and in the homes of the congregation.	Jan
6. Considerable effort will be made to collect information from as many people as possible associated with our congregation. This will include the initial input as well as later reaction to the information that will be published and the recommendations that will be developed.	Dec - Apr

7. Summaries of the collected information will be published regularly to show what is happening as well as providing encouragement to those who have not been involved to that point, to share their information.	Jan – Mar
8. The information will be examined for patterns and summarized for understanding. The information will be brought to Session as a workshop for recommendations.	Mar
9. Information may be taken to the various existing committees for analysis and recommendations.	Mar
10. The information will be taken to the congregation as a workshop to look for consensus and direction.	Apr
11. Meetings will be arranged by topic/theme and interested members will be invited personally to participate in shaping the action plan for implementations including establishing of goals.	May
12. Meetings will be arranged for members willing to be involved in the development of an action, establishing its structures, detailing its goals, establishing a budget and committed to making it happen.	Jun
13. The various changes and new initiatives will be in place ready for the new church year.	Sep
14. The team willing to provide leadership and answer questions through this project will be Rev. Sutherland, Lisa Brimblecombe, Lew Ford, plus others who may wish to be involved and/or seconded.	Nov – Sep

Summary:

We believe that by providing a way for the complaints to be heard and encouraging everyone to make recommendations for improvement followed by shared decision making as to “what do we continue doing, what do we stop doing and what do we change” will build a more positive environment and increase commitment to serving our Lord and our fellow man.



On-going Events at Doon Church

Consider sharing your time and talents by becoming involved in the life of Doon Church!

Seniors


Meet every
Wednesday at 1:30



Fun for Seniors

Bible Study Group
Meets

Fridays @ 10:00 a.m.
Doon Church



ADULT BIBLE STUDY

Senior Choir Meets

Dec. 1 – 7:00 p.m.
Feb. 2 – 7:00 p.m.
Feb. 16 – 7:00 p.m.



**Join the Choir ...
You'll Be Glad
You Did!**

Quilting Group
Meets

Watch for upcoming
Special dates for
this group. *Come & make
a quilt in a day!*



QUILTING GROUP

KFC

Meet Weekly
Friday evenings



Youth Happening

Ladies Aid 1

Dec. 6 - 12:00
Jan. 3 - 1:15
Feb. 7 - 12:00



Everyone Welcome

Doon Presbyterian Church

Ladies Aid 2


Dec. 14 - 7:30 p.m.
Jan. 11 – 7:30 p.m.
Feb. 8 – 7:30 p.m.



Come Join Us!

Church Committees

Fellowship Committee
Stewardship Committee
Mission and Outreach
Memorial
Christian Education
Board of Managers
Session



**How
will
you
become
involved?**



Dates to Remember

Mark Your Calendars

November 27

Poinsettia Orders Due

Nov. 27 – Dec. 25

Advent Workshop

December 4

Food Bank Drive

Second Sunday in Advent

Christmas Dinner 5:30 p.m.

Christmas at Doon 7:00 p.m.

December 11

Third Sunday in Advent

Muffin Sunday

December 18

Fourth Sunday in Advent

Sunday School Pageant 10:00 a.m.

December 24

Christmas Eve Family Service - 7:00 p.m.

NO Candlelight Service @ 11:00 p.m. this year!

December 25

Christmas Day Service - 10:00 a.m.

January 8

Muffin Sunday

January 15

Bread / Loaf Sunday

February 5

Muffin Sunday

February 20

Due Date for Spring Issue of the Grapevine

March 4

Muffin Sunday



Invite
a friend
to Doon

Remember to check updates in the Sunday
bulletin and www.doonpc.com

